

Concrete Placing Boom

Model EPB 28

1.	SPECIFICATION	2
2.	WORK DIAGRAM	3
3.	SCOPE OF SUPPLY	4
4.	CONFIGURATION	5
4.1.	<i>BOOM ASSEMBLY & COUNTERWEIGHT</i>	6
4.2.	<i>PEDESTAL AND ADAPTER</i>	7
4.3.	<i>TOWER MAST</i>	8
4.4.	<i>TOWER SUPPORT BRACKET ON SLABS</i>	9
4.5.	<i>ADAPTER</i>	10
4.6.	<i>CLIMBING CYLINDERS</i>	11
4.7.	<i>WALKWAY PLATFORM AROUND TOWER</i>	12
4.8.	<i>LADDERS</i>	13
4.9.	<i>TOWER FIXING BASE FRAME</i>	14

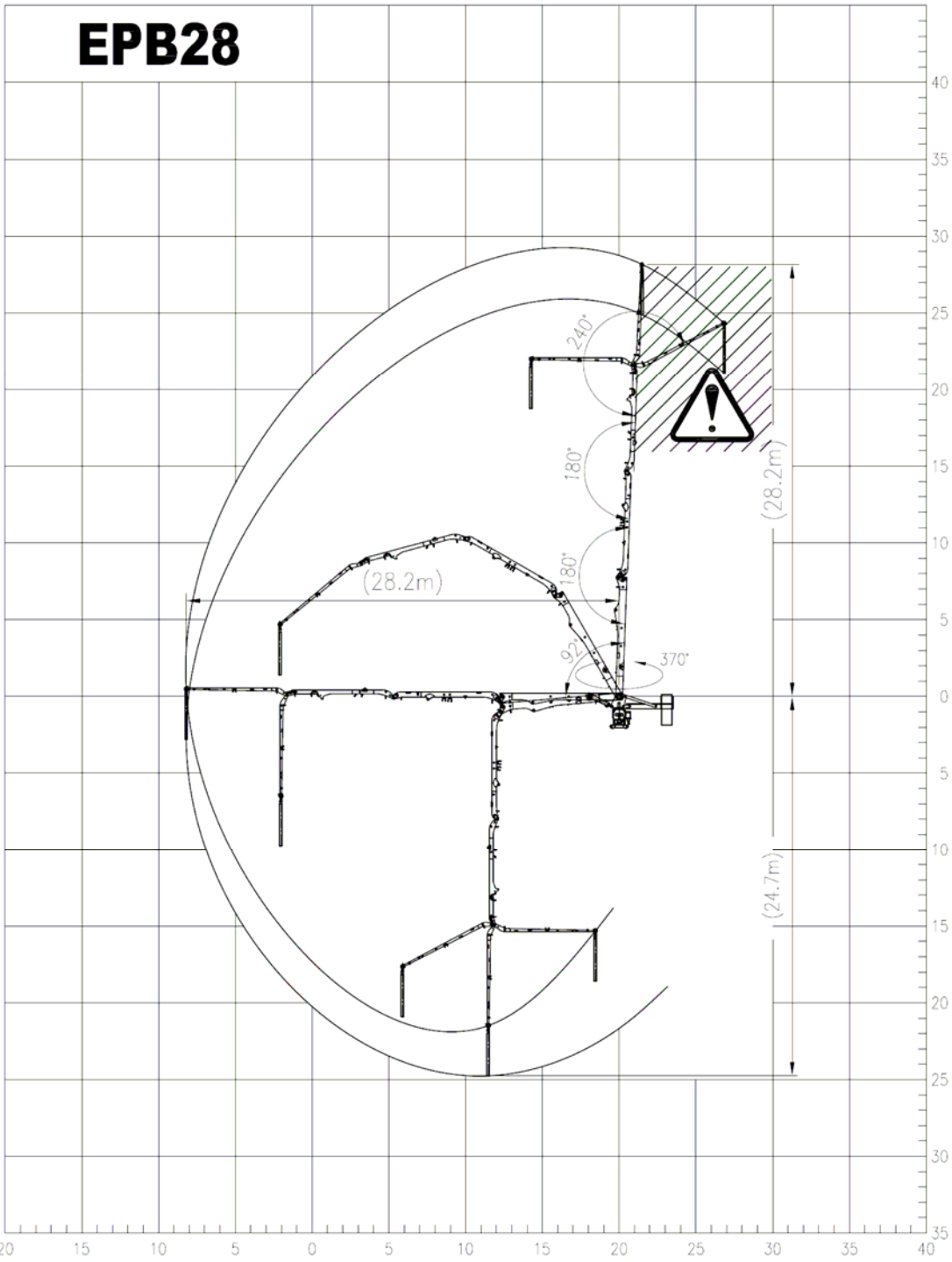


1. SPECIFICATION

Description		EPB 28	Note
Boom Specs			
Boom design	-	4-Section Roll	
Horizontal reach	m	28	
Reach depth	m	21	
End hose	m	3	
Boom reach			
1st Section	mm	7,745	
2nd Section	mm	6,945	
3rd Section	mm	6,945	
4th Section	mm	6,470	
Boom articulation			
1st Section	°	92	
2nd Section	°	180	
3rd Section	°	180	
4th Section	°	240	
General Specs			
Mast height	m	20	10 m each x No.2
Pipeline diameter	mm	125	
Rotation speed	rpm	0.5	
Rotation angle	°	370	
Motor power	KW	15	
Concrete outputs	m ³ /hr	15 to 150	
Main power	V/Hz	380/60 380/50 440/50	Standard Option Option
Control System	- -	Cable remote control Radio remote control	Standard Option
Weights			
Boom	kg	5,000	
Pedestal with adapter	kg	3,000	
Counterweight	kg	2,100	2,100 each x No.1
Counterweight frame	kg	400	
Total weight	kg	10,500	
Heights			
Freestanding height	m	20	
Max overhang	m	15.5	

2. WORK DIAGRAM

EPB28
Working diagram



⚠ Don't use end hose in caution area UNIT:m

3. SCOPE OF SUPPLY

AS STANDARD

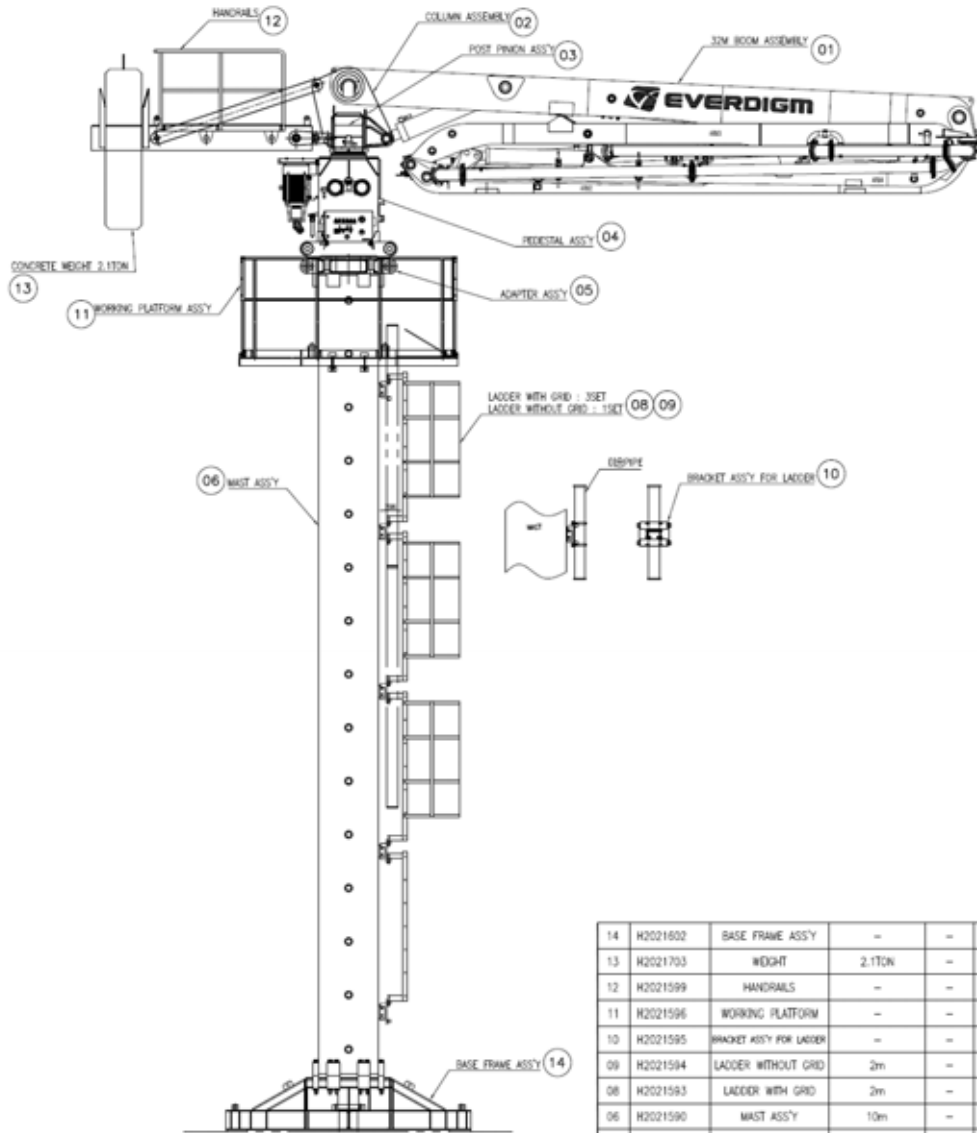
Concrete placing boom M32	1	set
Pedestal	1	set
Adapter	1	set
Counterweight frame	1	set
Concrete counterweight - 2100 kg	1	set
3-meter end hose with one end coupling	1	set
Cable remote control with 40 m cable	1	set
Accessories	1	set
10-meter tubular mast section (750x750mm)	2	set
Working platform around mast	1	set
Mast connecting bolts and nuts	32	set
2-meter ladder with grid	3	set
2-meter ladder without grid	1	set
Mast support bracket on slabs	3	set
Mast supporting pin	2	set
Climbing cylinder	2	set
Hyd hose for climbing cylinder-20m	1	set
Climbing control with cable	1	set

AS OPTION

Radio remote control		
Tower fixing base frame		
6-meter tubular mast section (750x750mm)		
4-meter tubular mast section (750x750mm)		

4. CONFIGURATION

EPB28 Placing Boom

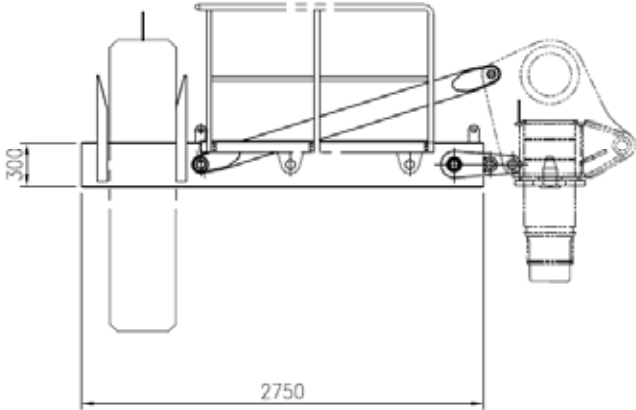
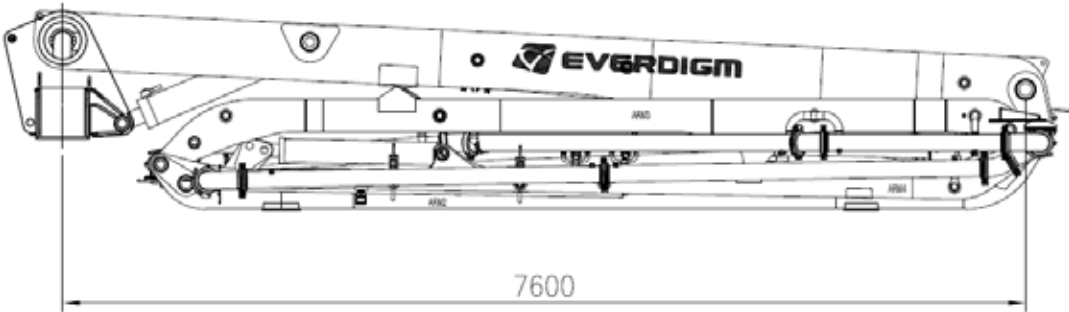


14	H2021602	BASE FRAME ASSY	-	-	1	OPTION
13	H2021703	WEIGHT	2.110M	-	1	OPTION
12	H2021599	HANDRAILS	-	-	1	-
11	H2021596	WORKING PLATFORM	-	-	1	-
10	H2021595	BRACKET ASSY FOR LADDER	-	-	10	-
09	H2021594	LADDER WITHOUT GRID	2m	-	1	-
08	H2021593	LADDER WITH GRID	2m	-	3	-
06	H2021590	MAST ASSY	10m	-	2	-
05	H2021591	ADAPTER	-	-	1	-
04	H2021737	PEDESTAL ASSY	-	-	1	-
03	H2014046	POST PINON ASSY	-	-	1	-
02	H2014030	COLUMN ASSEMBLY	32M	-	1	-
01	H2014620	32M BOOM ASSEMBLY	32M	-	1	-
NO	PARTS NO	PARTS NAME	DESCRIPTIONS	MATL	QTY	REMARKS

4.1. BOOM ASSEMBLY & COUNTERWEIGHT

EPB28
Boom ass"y & Counter Weight

Boom Weight : 5,000Kg

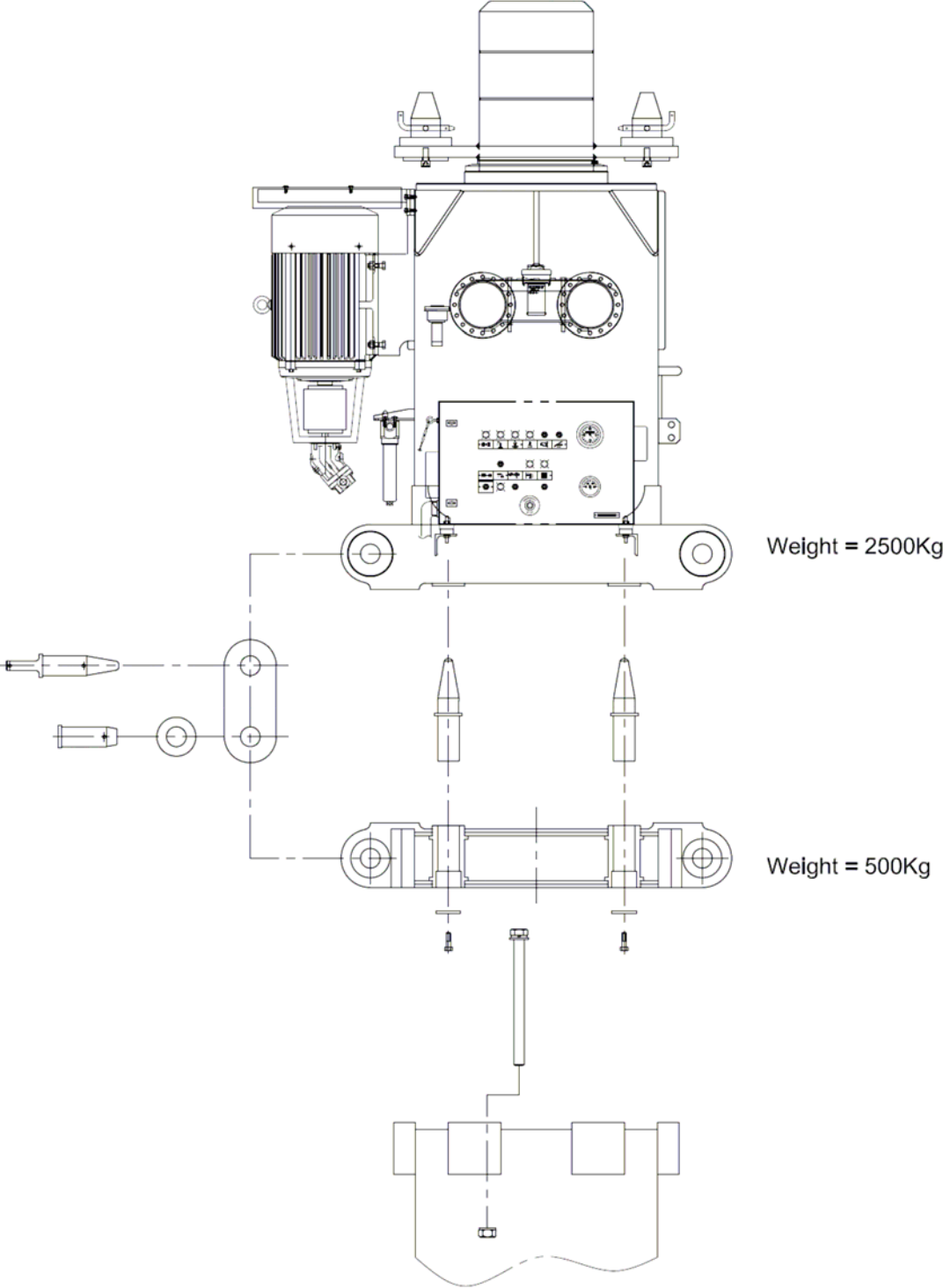


Counter Weight Frame : 400Kg
Weight : 2,100Kg + 1ea = 2,100Kg

Total Balance Weight = 2,500Kg

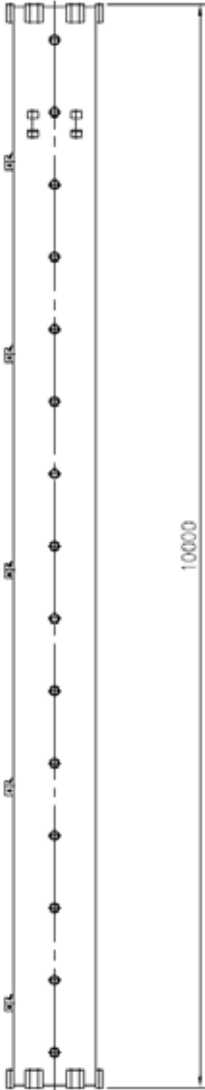
4.2. PEDESTAL AND ADAPTER

Pedestal & adapter Assembly

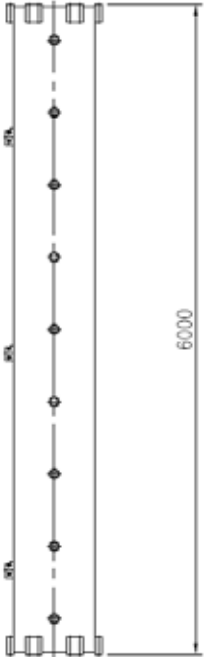


4.3. TOWER MAST

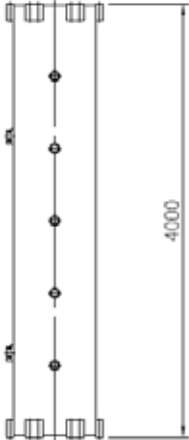
EPB Placing Boom
Mast (Column)



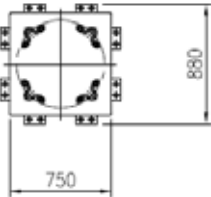
Weight = 2,000Kg



Weight = 1,300Kg

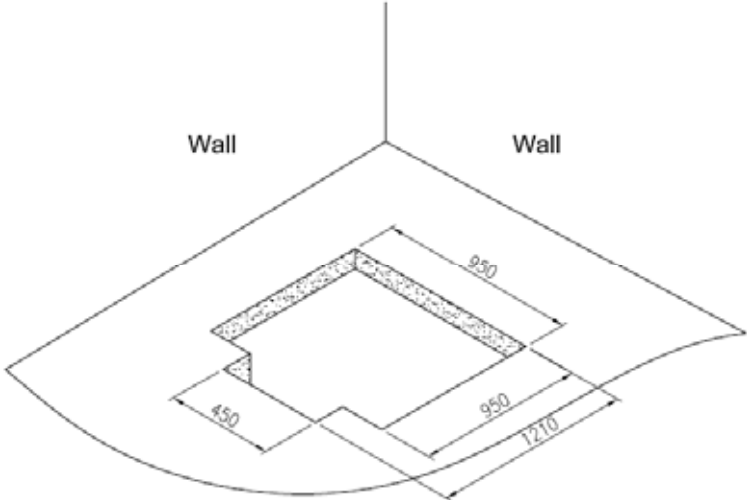
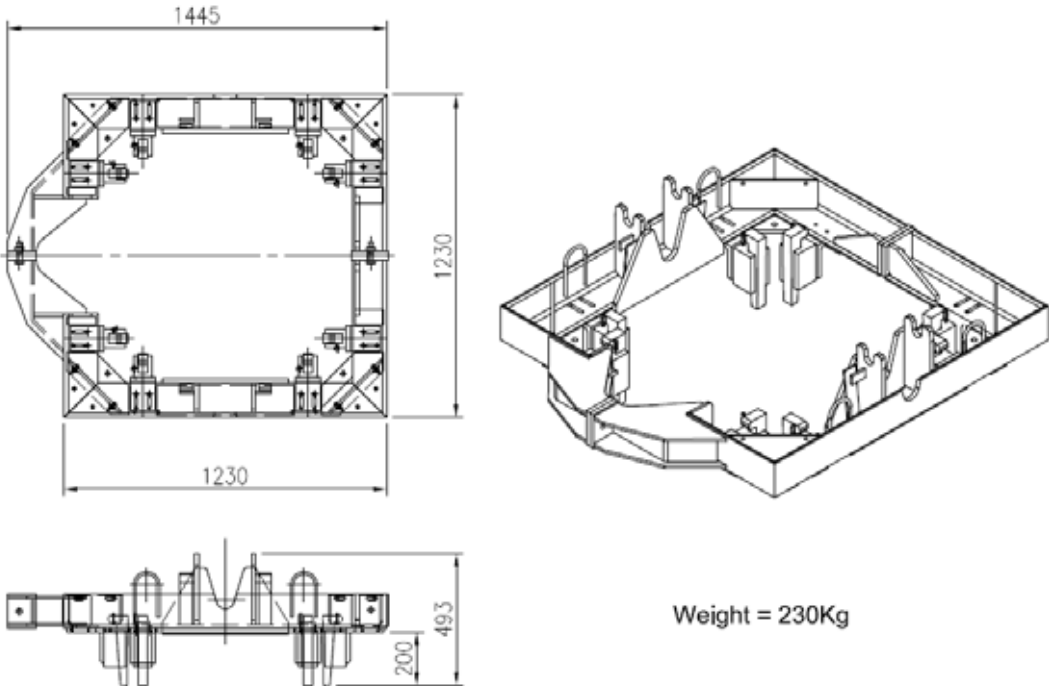


Weight = 3,300Kg



4.4. TOWER SUPPORT BRACKET ON SLABS

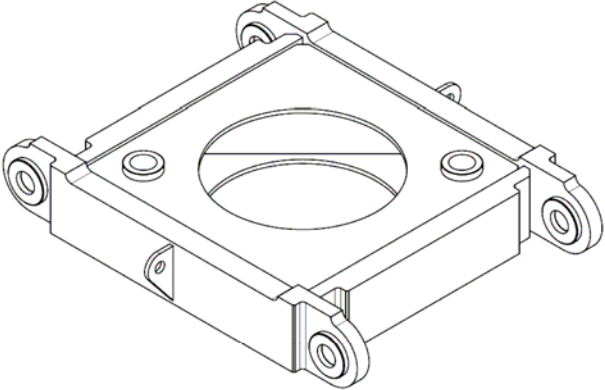
EPB Placing Boom
Mast Bracket



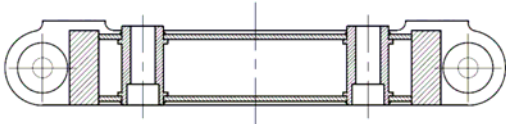
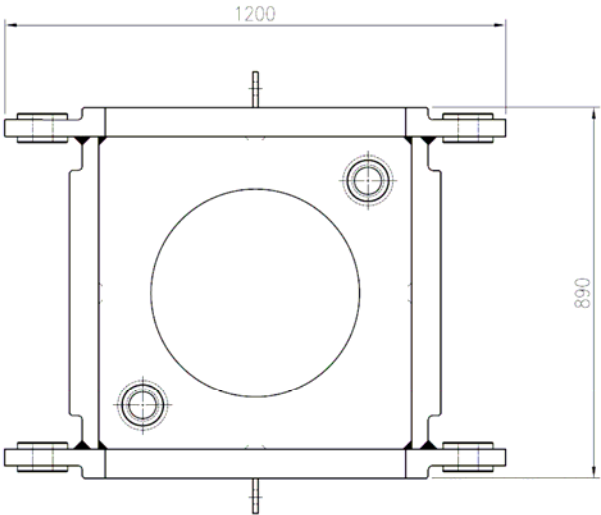
* Floor Cutting Dimension

4.5. ADAPTER

EPB Placing Boom
Adapter

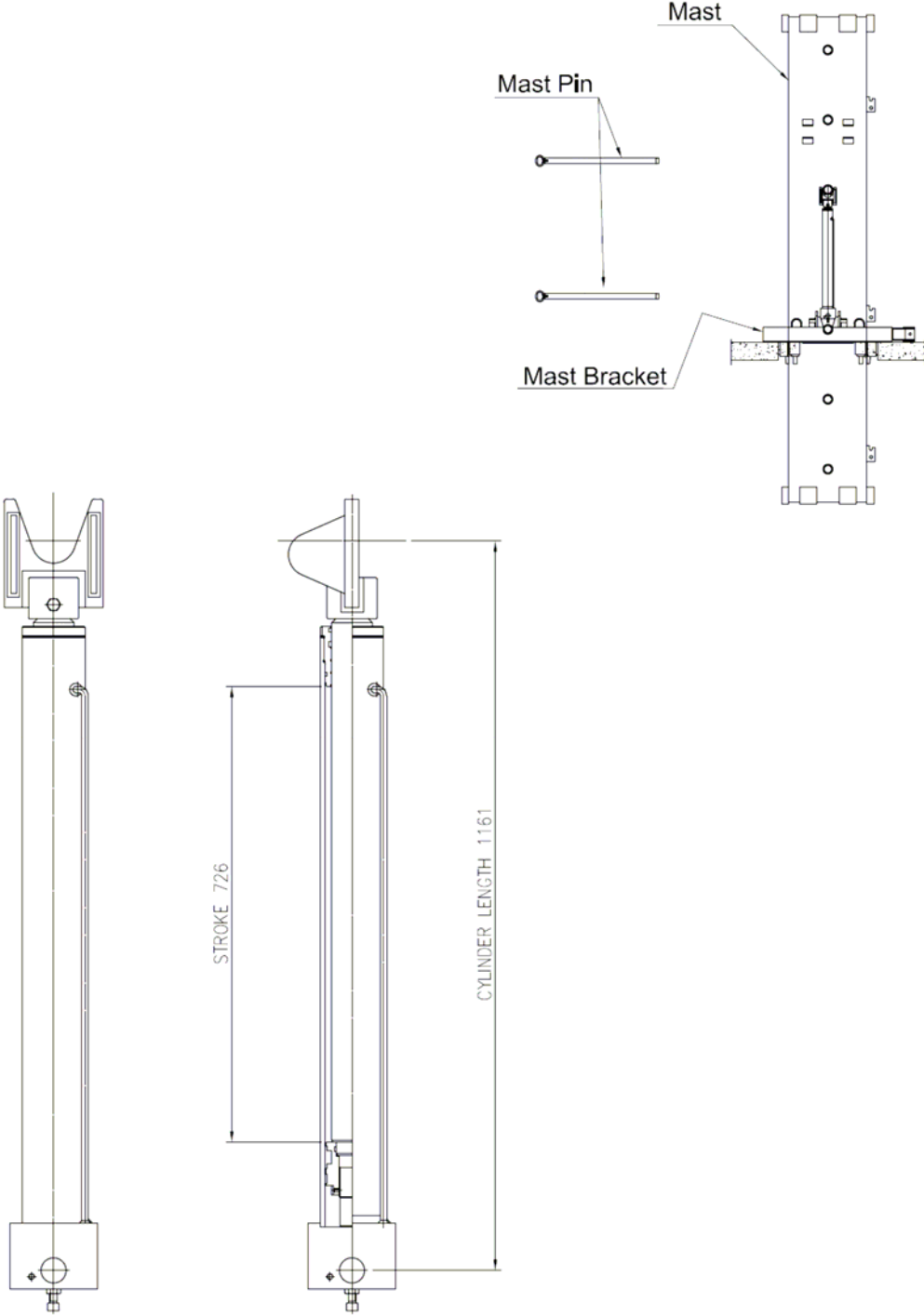


Weight = 500Kg

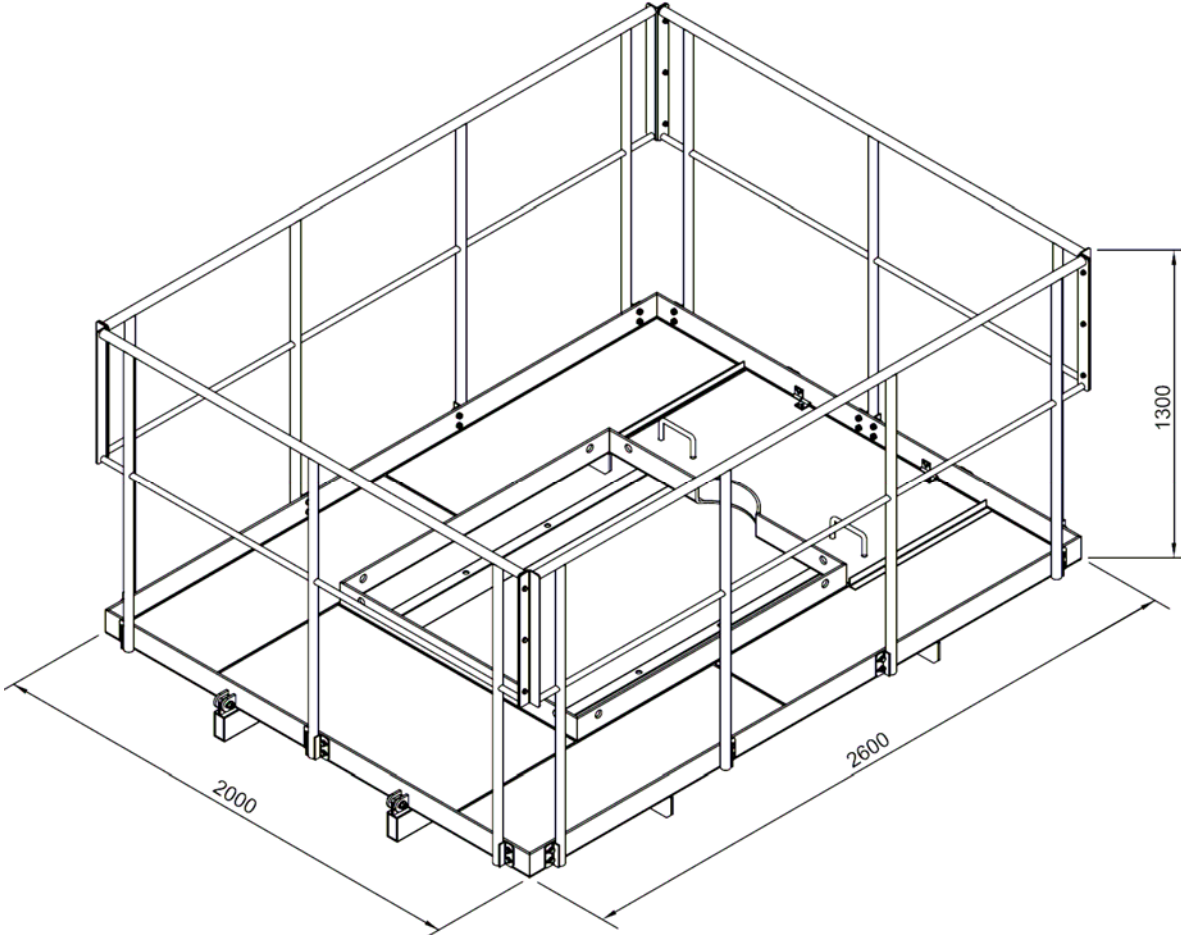


4.6. CLIMBING CYLINDERS

EPB Placing Boom
Climbing Cylinder



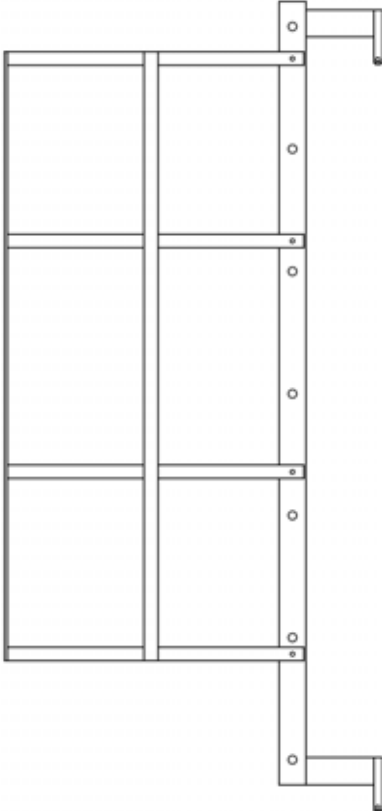
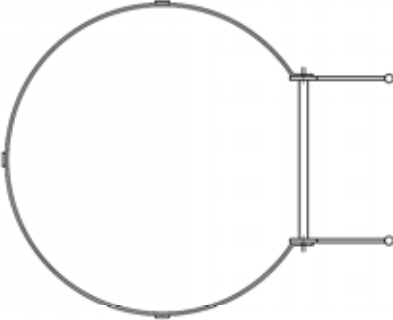
4.7. WALKWAY PLATFORM AROUND TOWER



Weight = 450Kg

4.8. LADDERS

EPB Placing Boom
Ladder With Grid & Ladder Without Grid



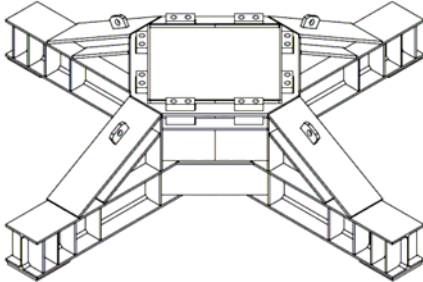
Weight = 40Kg



Weight = 25Kg

4.9. TOWER FIXING BASE FRAME

EPB Placing Boom
Base Frame



Weight = 1,370Kg

